

Transport Medium & Swab

UTM / VTM / ITM

- Universal Transport Medium
- Viral Transport Medium
- Inactivation Transport Medium

Nasopharyngeal Swab

Oropharyngeal Swab



NEST SWAB

ADVANTAGE:

Nest nylon flocked swabs provide optimum specimen collection because of their ability to collect more specimen at the collection site and to more rapidly release the entire sample specimen.

Nasopharyngeal Swab & Oropharyngeal Swab



- Non toxic
- Individually wrapped and sterile
- CE, FDA, ISO certified

Cat.No.	Description	/Pk	/Cs
171421	Oropharyngeal Specimen Collection Swab, Individually Wrapped, Sterile	100	5000
171422	Nasopharyngeal Specimen Collection Swab, Individually Wrapped, Sterile	100	5000

ITM (Inactivation Transport Medium)

Advantage:

- ITM medium serves to both inactivate viruses and prevent nucleic acid degradation.
- Room temperature transport
- Samples can be stored at room temperature for 20 days.
- Used for collection, storage and transportation of viruses, chlamydiae, mycoplasma and ureaplasma.

Cat.No.	Description	/Pk	/Cs
171423	5 mL Vial Filled with 2 mL ITM Medium (10 Pcs / Pack) Oropharyngeal Swab (Individually Wrapped, Sterile)	10	50
171425	10 mL Vial Filled with 3 mL ITM Medium Packaged with One Oropharyngeal Swab, Sterile	1	100
171424	5 mL Vial Filled with 2 mL ITM Medium (10 Pcs / Pack) Nasopharyngeal Swab (Individually Wrapped, Sterile)	10	50
171426	10 mL Vial Filled with 3 mL ITM Medium Packaged with One Nasopharyngeal Swab, Sterile	1	100

VTM (Viral Transport Medium)

- Used for collection, storage and transportation of human nasopharyngeal virus samples.
- Unused VTM medium can be transported at room temperature.
- Sample transport temperature requirement & storage time: 2 to 4 C°, 48h.

Cat.No.	Description	/Pk	/Cs
171427	5 mL Vial Filled with 2.5 mL VTM Medium (10 Pcs / Pack) Oropharyngeal Swab (Individually Wrapped, Sterile)	10	50
171429	10 mL Vial Filled with 3 mL VTM Medium Packaged with One Oropharyngeal Swab, Sterile	1	100
171428	5 mL Vial Filled with 2.5 mL VTM Medium (10 Pcs / Pack) Nasopharyngeal Swab (Individually Wrapped, Sterile)	10	50
171430	10 mL Vial Filled with 3 mL VTM Medium Packaged with One Nasopharyngeal Swab, Sterile	1	100

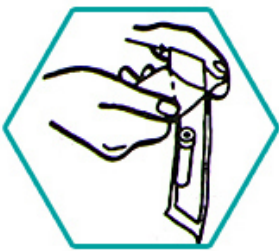


UTM (Universal Transport Medium)

- Used for collection, storage and transportation of viruses, chlamydiae, mycoplasma and ureaplasma.
- Unused UTM medium can be transported at room temperature.
- Sample transport temperature requirement & storage time: 2 to 4 C°, 48h.

Cat.No.	Description	/Pk	/Cs
171431	5 mL Vial Filled with 2.5 mL UTM Medium (10 Pcs / Pack) Oropharyngeal Swab (Individually Wrapped, Sterile)	10	50
171433	10 mL Vial Filled with 3 mL UTM Medium Packaged with One Oropharyngeal Swab, Sterile	1	100
171432	5mL Vial Filled with 2.5 mL UTM Medium (10 Pcs / Pack) Nasopharyngeal Swab (Individually Wrapped, Sterile)	10	50
171434	10 mL Vial Filled with 3 mL UTM Medium Packaged with One Nasopharyngeal Swab, Sterile	1	100

Operating Instruction



Peel apart the package



Remove the sterilized swab to collect samples



Insert the swab into transport medium and break the handle at breakpoint after sampling.



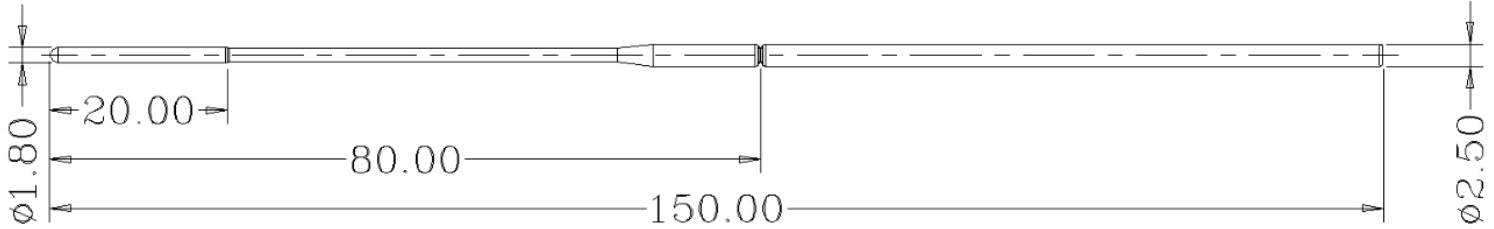
Tighten the cap to secure.



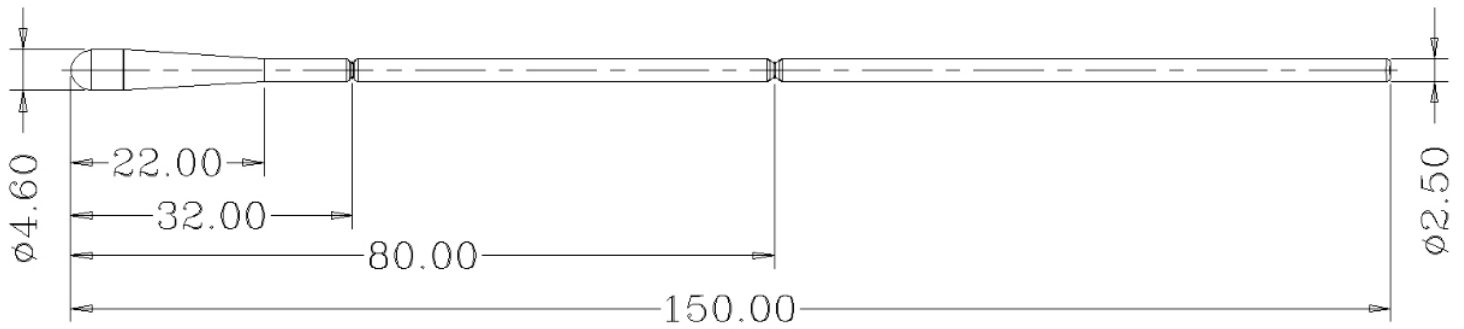
- The color of UTM medium and VTM medium is pervious red. Don't use it if the color of medium became pervious orange.
- ITM medium is transparent.

▼▲ Technical Drawing

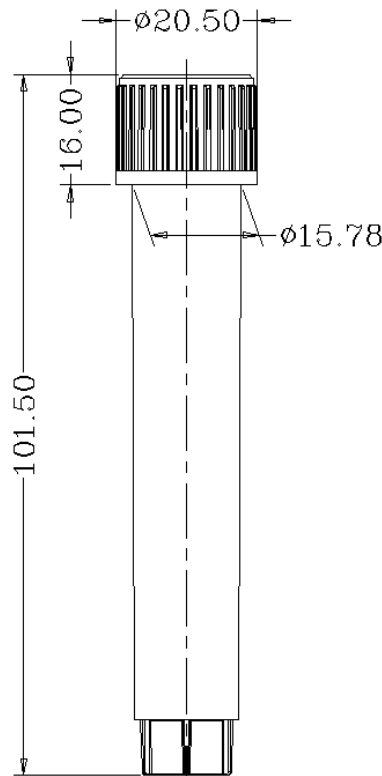
Nasopharyngeal Specimen Collection Swab



Oropharyngeal Specimen Collection Swab



10 mL Vial



5 mL Vial

